



Abel Collection

LH2, RFC corner group shown in Leo Wicker (Cover 1), Larry Latte (Cover 2), Angus Natural (Cover 3) and Carson Marble (Cover 4).

foamflex⁺

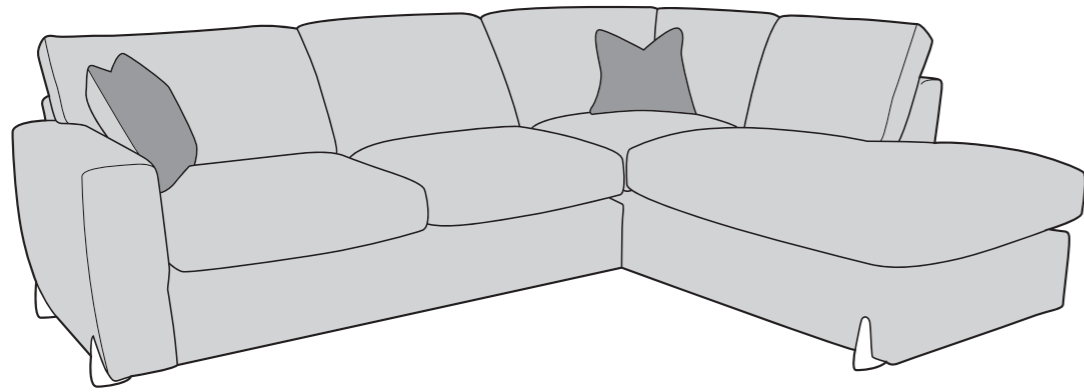
Colours represented are to be used as a guide only, colour shadings can vary slightly from each roll of fabric. Please refer to manufacturers swatch for more colour options.

31/03/2026

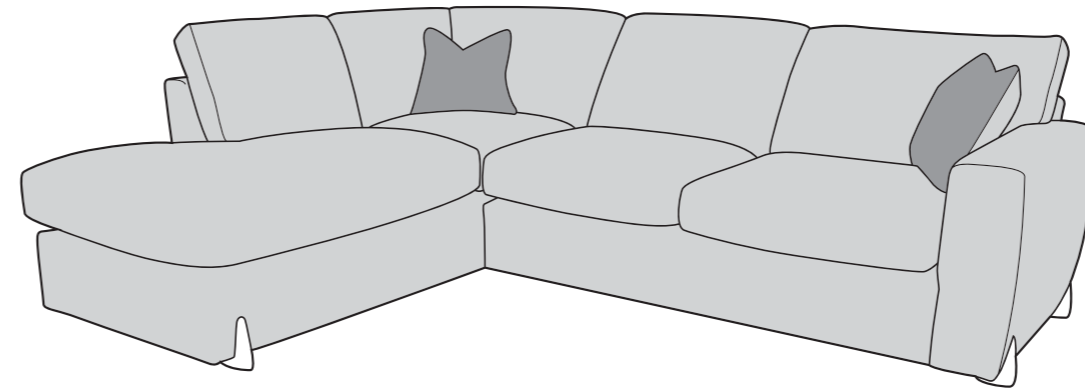
ABEL COVER GUIDE: STANDARD BACK

Please use this guide when ordering the following pieces to clarify cover options.

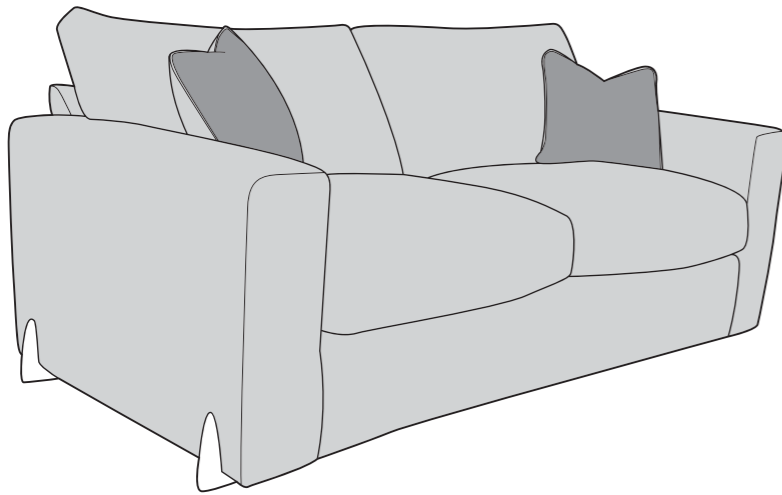
LH2, RCC Corner Group - LHC-S-C



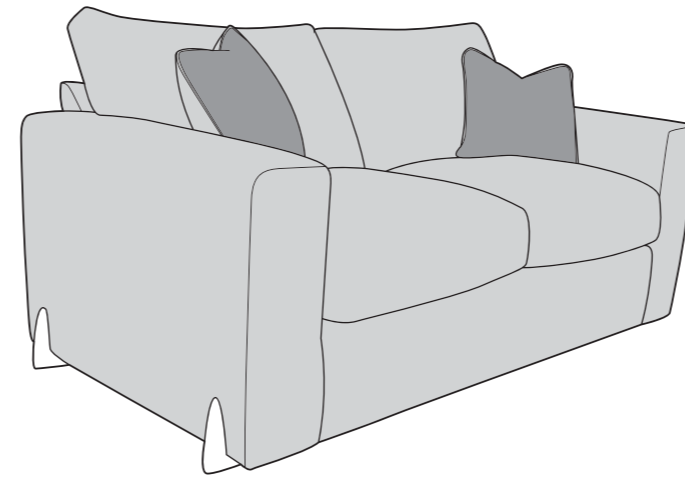
LCC, RH2 Corner Group - RHC-S-C



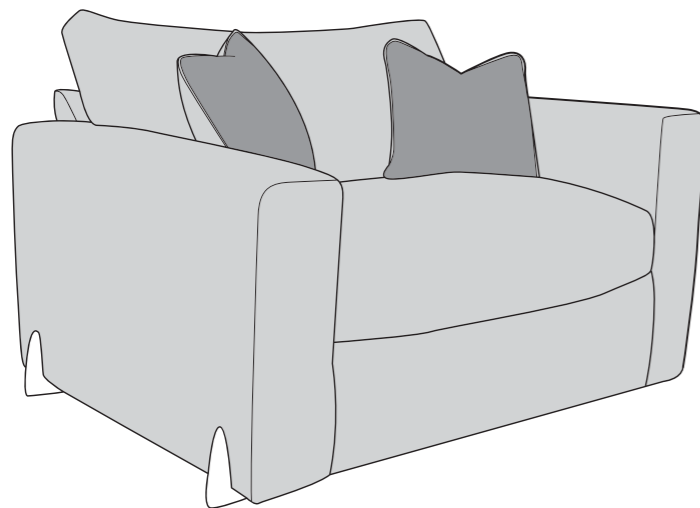
3 Seater Sofa - 3ST-S-C



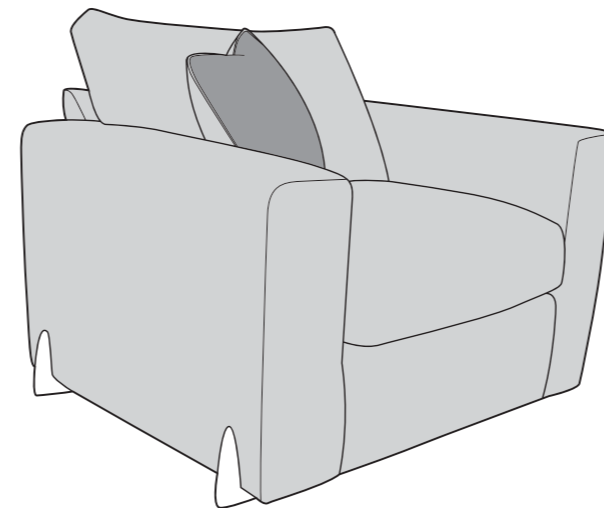
2 Seater Sofa - 2ST-S-C



Love Chair - LOV-S-C



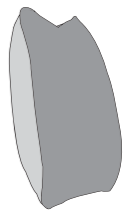
Arm Chair - 1ST-S-C



 **COVER 1**
(BODY)

 **COVER 2**
(SCATTER)

Scatter Cushions



Front = Cover 2
Back = Cover 1

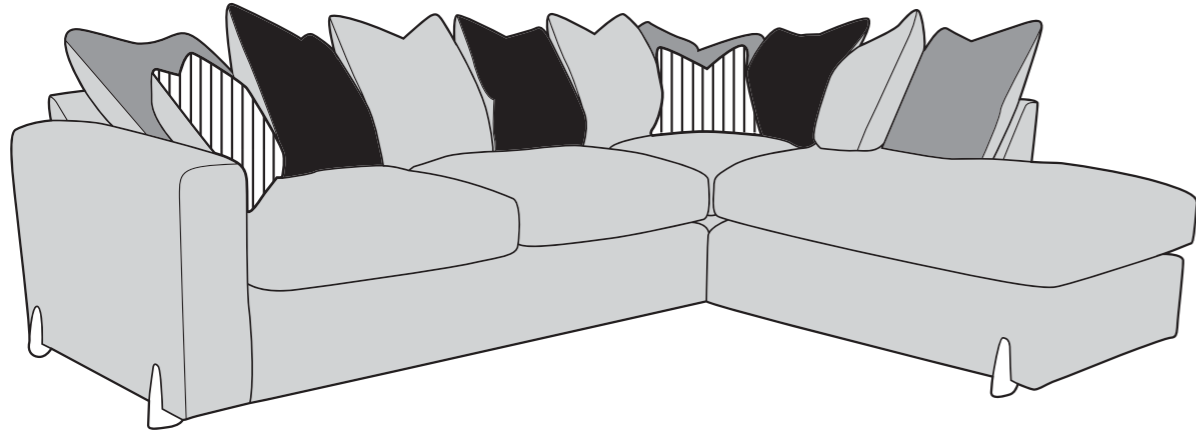
 **BFA**
BRITISH FURNITURE
ASSOCIATION
MANUFACTURER MEMBER

 **A©ID**
ANTI COPYING IN DESIGN

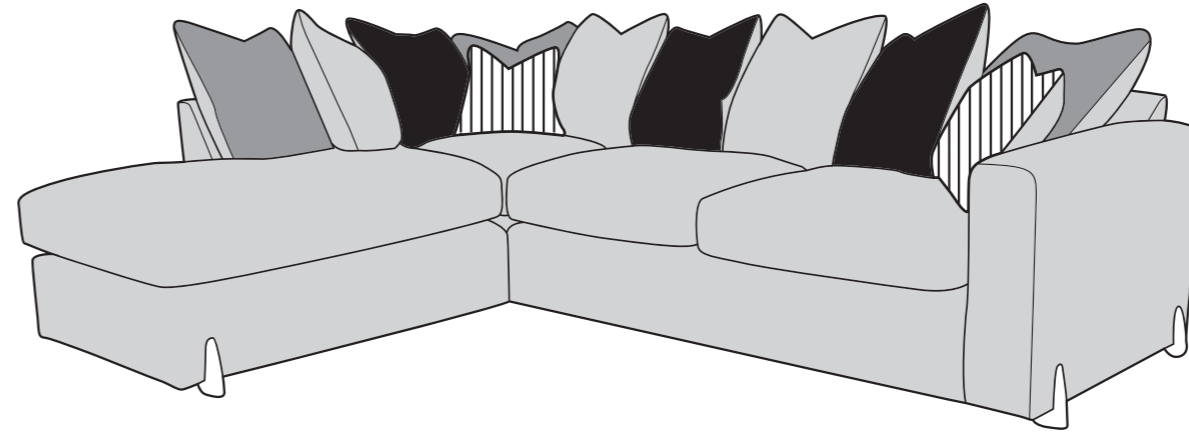
ABEL COVER GUIDE: PILLOW BACK

Please use this guide when ordering the following pieces to clarify cover options.

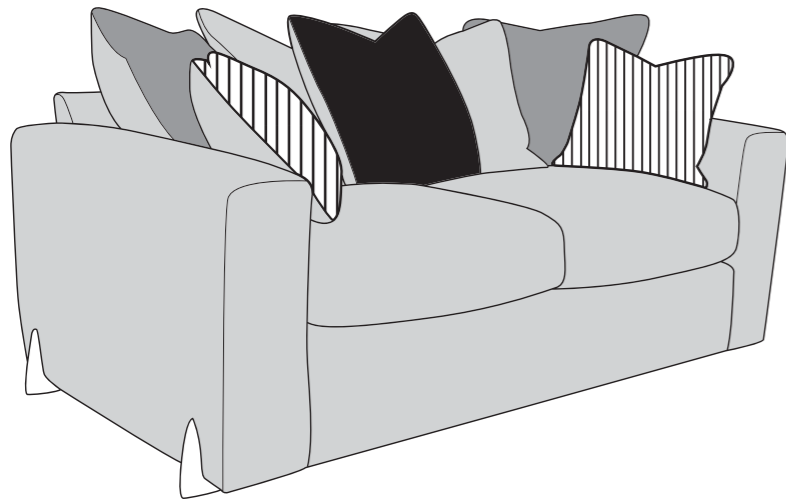
LH2, RCC Corner Group - LHC-P-C



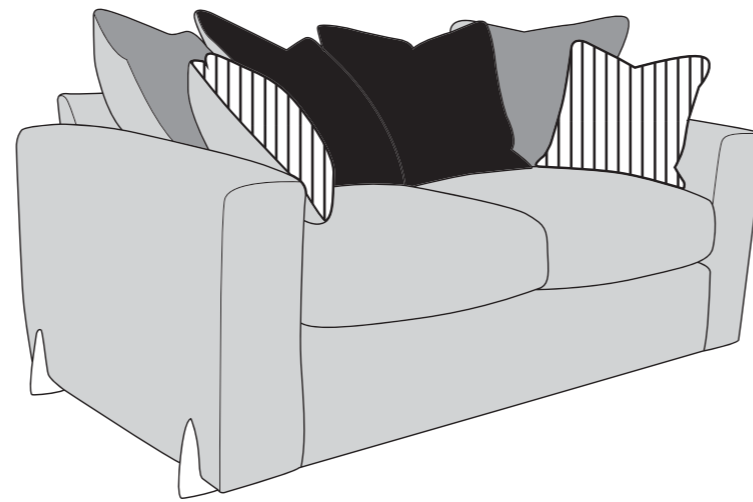
LCC, RH2 Corner Group - RHC-P-C



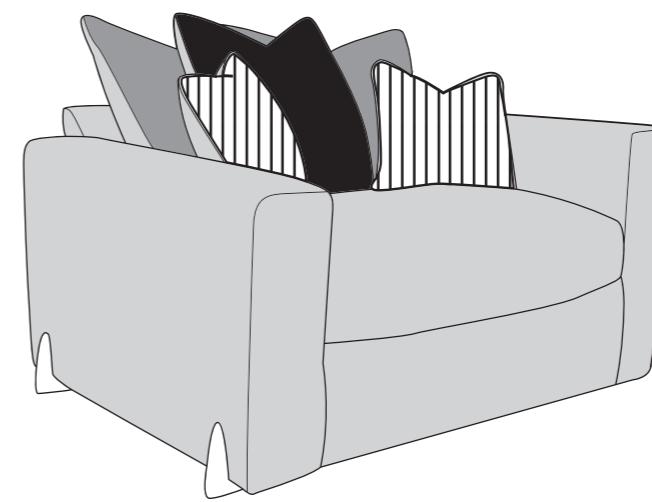
3 Seater Sofa - 3ST-P-C



2 Seater Sofa - 2ST-P-C

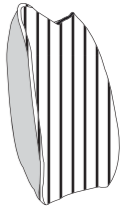


Love Chair - LOV-P-C



-  **COVER 1**
(BODY)
-  **COVER 2**
(PILLOW)
-  **COVER 3**
(PILLOW)
-  **COVER 4**
(SCATTER)

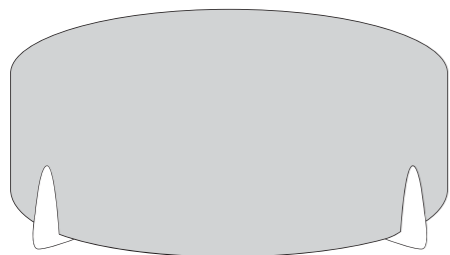
Scatter Cushions



Front = Cover 4
Back = Cover 1

SUGGESTED ACCENT PIECES

Axel Footstool (FST)



ABEL DIMENSIONS (CM)

AVAILABLE PIECES	HEIGHT 1	WIDTH 2	DEPTH 3	SEAT HEIGHT 4	SEAT DEPTH 5	SEAT WIDTH 6	ACCESS DIAGONAL 7	OUTBACK HEIGHT 8	ARM HEIGHT 9	WEIGHT (KG)	SCATTER CUSHIONS
CORNER GROUP: LH2, RCC or LCC, RH2	93	284	217	54	N/A	N/A	N/A	72	66	123	2
LH2/RH2 UNIT	93	187	97	54	56	163	205	72	66	57	1
LCC/RCC UNIT	93	217	97	54	56	N/A	232	72	N/A	66	1
3 SEATER SOFA (3ST)	93	205	97	54	56	157	219	72	66	67.5	2
2 SEATER SOFA (2ST)	93	180	97	54	56	129	197	72	66	62	2
LOVE CHAIR (LOV)	93	131	97	54	56	85	163	72	66	54	2
ARMCHAIR (1ST)	93	101	97	54	56	55	140	72	66	46.5	1
ACCENT PIECES											
AXEL FOOTSTOOL (FST)	37	107	107	N/A	N/A	N/A	N/A	N/A	N/A	23.5	N/A



* Hardwood & composite board frame.

* Dowelled, screwed, glued & stapled joinery.

* Foamflex+ seat interior

* Fibre filled standard backs for added comfort.

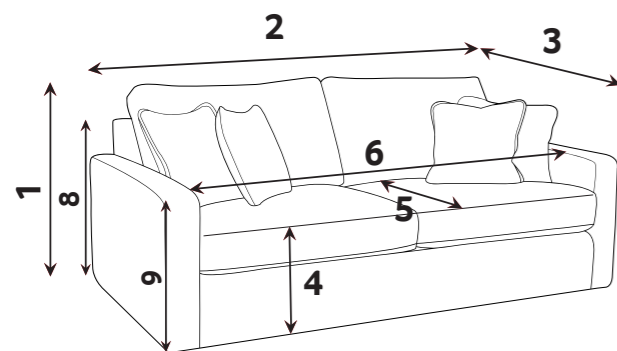
* Sumptuous feather filled pillow backs. 

* Feather filled scatters included. 

* Serpentine seat springs & silent wire.

* Elasticated back webbing.

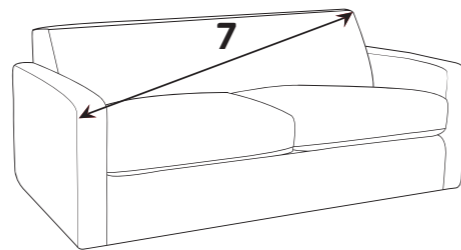
DIMENSION GUIDE



- 1 - HEIGHT
- 2 - WIDTH
- 3 - DEPTH
- 4 - SEAT HEIGHT
- 5 - SEAT DEPTH (STD & PILLOW)
- 6 - SEAT WIDTH
- 7 - DIAGONAL ACCESS
- 8 - OUTBACK HEIGHT
- 9 - ARM HEIGHT

Illustrations used for reference only.

Check the diagonal access dimension to ensure furniture will fit in your home.



foamflex+

Our expertly engineered foam seat interior gives you the comfort of fibre with the retention of foam.

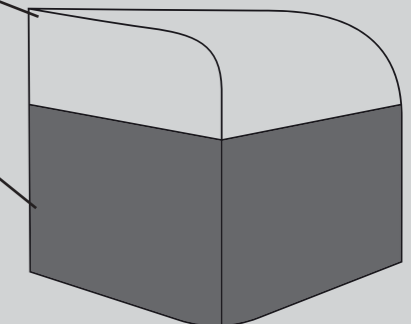
CARE GUIDE

To improve the longevity of your hand-made furniture, we recommend rotating cushions (where applicable).

For further information on maintaining your furniture, please refer to the Care Guide located under the seat platform.

Foam Topper

High Density Base



Brushed Brass

Walnut

Mid Oak

FOOT OPTIONS:



Wood is a natural product and will vary in shade/colour from item to item. Feet may require fitting.



See terms & conditions